

# OptiCenter: the core of the cleaning process

The injectors or pumps and the hoses are automatically cleaned at color change. Emptying and cleaning the hopper is quick and easy, thanks to the integrated suction system.



**OC04 with Injectors**



**OC05 with AP01 OptiSpray pumps**

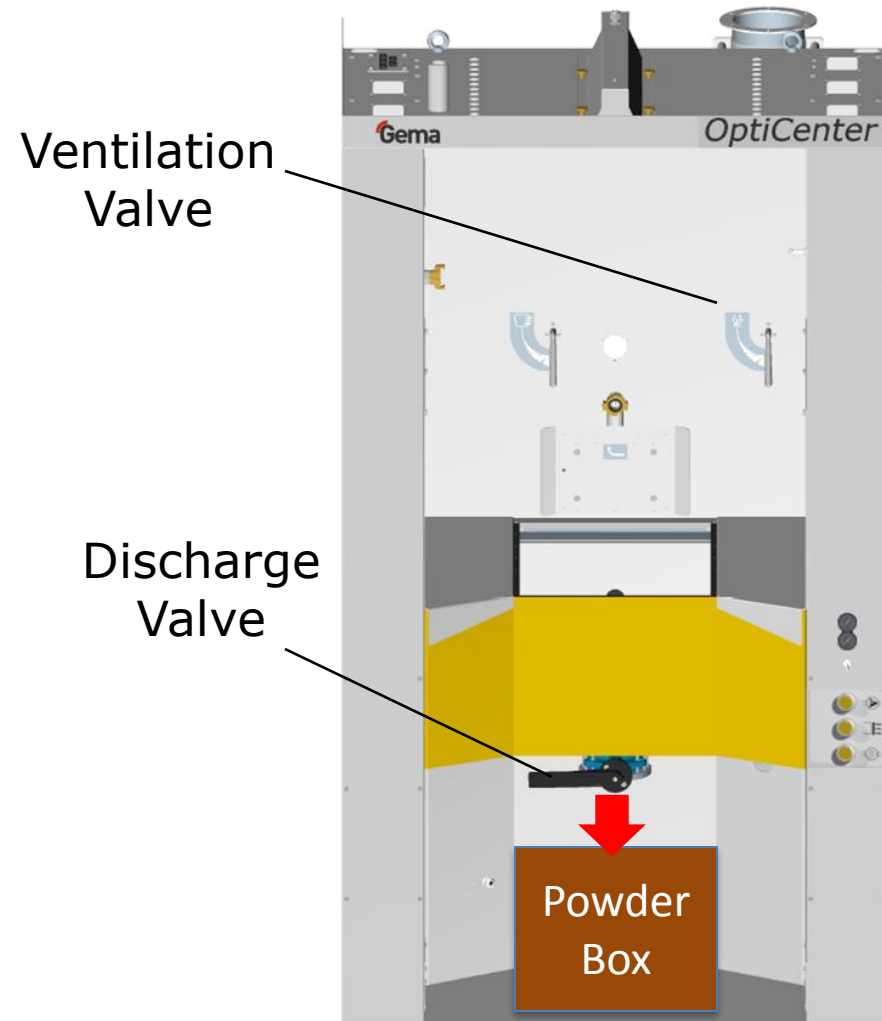
Quick and easy  
color change

Semi-automated  
and reliable process

Clean color change,  
no contamination

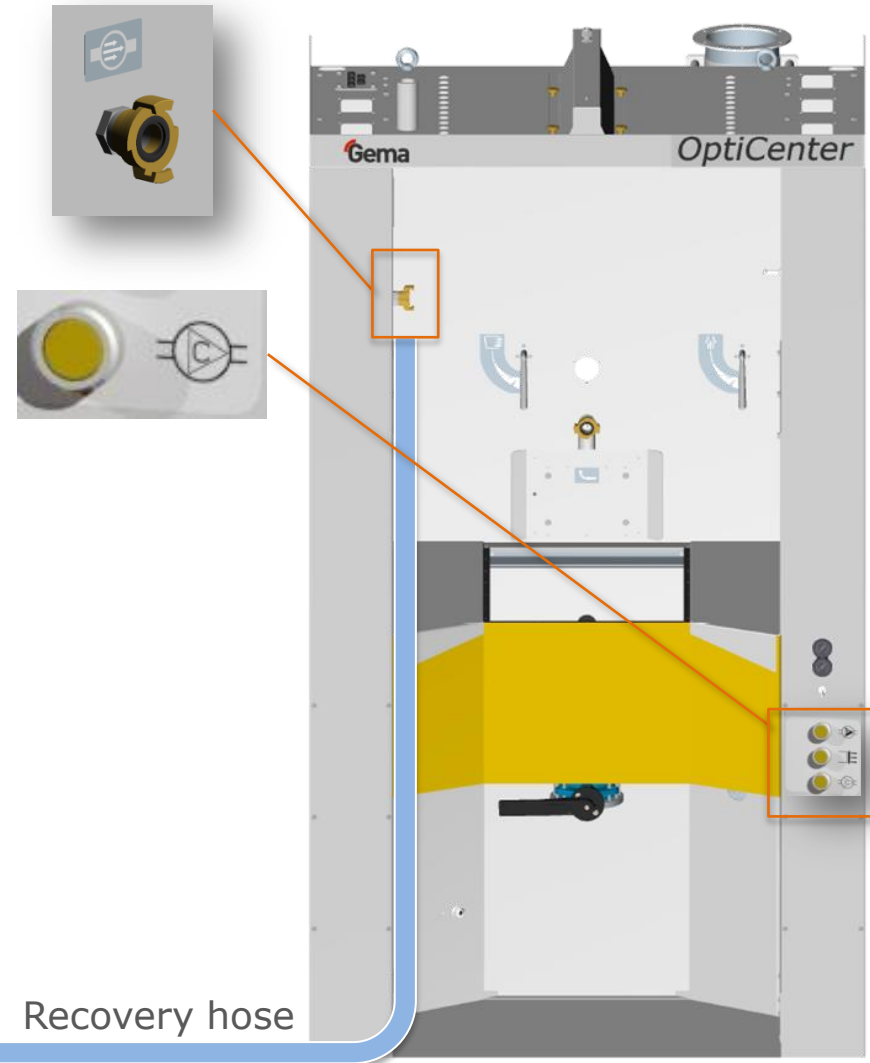
# OptiCenter Color Change Process

- The operator places the powder box under the powder hopper and activates the ventilation of the OptiCenter housing.
- When the operator opens the discharge valve the powder hopper is emptied **directly into the original powder bag.**
- No need for time consuming off-line cleaning operations.
- Powder can be easily stored for future use.



# OptiCenter Color Change Process

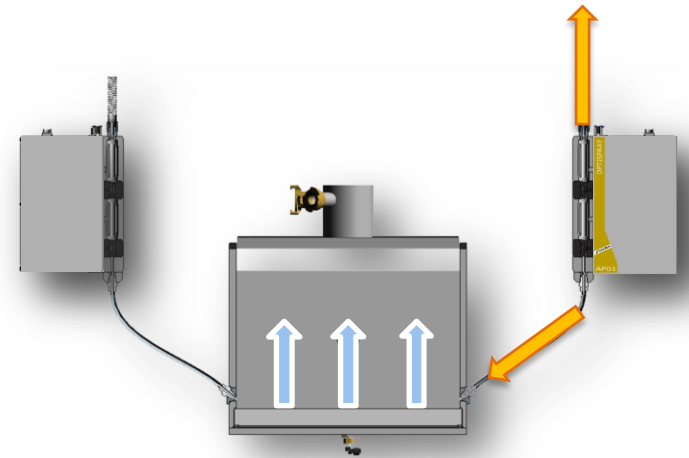
- The operator connects the recovery hose to the cleaning port and activates the cleaning cycle.
- The recovery hose and pump are cleaned by **compressed air pulses**.



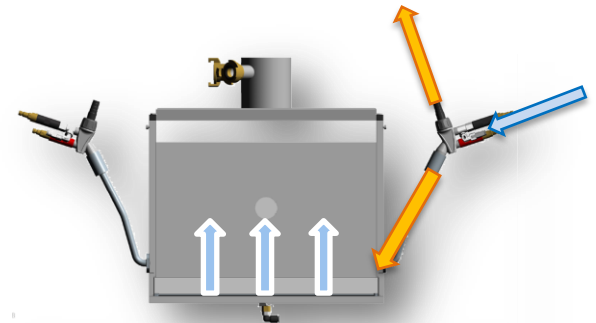
Recovery hose

# OptiCenter Color Change Process

- The operator activates the guns **automatic cleaning cycle**.
- **Compressed air pulses** clean the injectors or pumps, the powder hoses and the guns.
- The cleaning process can be repeated for extreme color changes



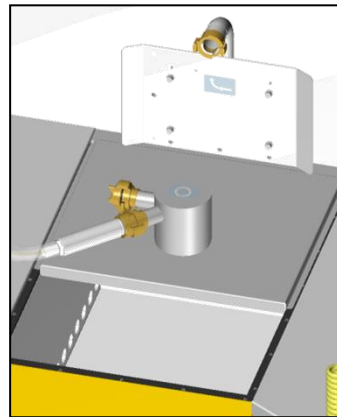
OptiSpray AP01 cleaning



OptiFlow Injectors cleaning

# OptiCenter Color Change Process

- The operator activates a **powerful air extraction** from the powder hopper.
- The inside of the powder hopper can be cleaned **quickly and easily** through the cover.
- The air extractions prevents powder from escaping to the ambient.



Air  
Extraction  
Valve



# OptiCenter Color Change Process

- The operator refills the powder hopper and reconnects the recovery hose.
- **The OptiCenter is now ready to operate with a new color.**



# Quick and easy color change

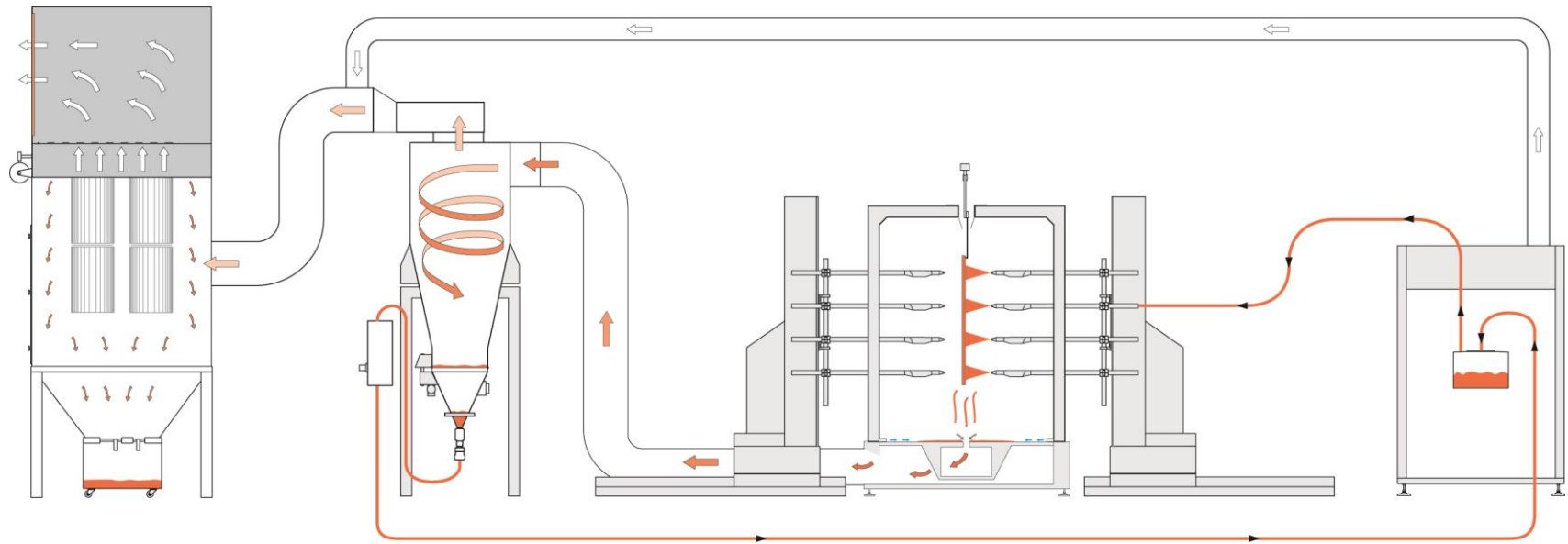
- Injectors or pumps, hoses, guns and the recovery hose are **automatically cleaned** by powerful air blasts.
- The integrated sieve is **quick and easy to clean**.
- The color change process can be completed by **one operator** in few minutes.





# Automated and reliable color change

- With the OptiCenter several cleaning functions are **automated** and are not subject to human errors.
- An optimal management of the color change process is ensured by the **interconnection** with the rest of the powder coating system



**Mono Cyclone powder recovery**

**Magic Systems booth**

**OptiCenter**



# Clean process, without contamination

- The **semi-automated color change** process reduces the need for manual cleaning and minimizes the risk of color contamination and of powder escaping to the ambient.
- A good air extraction ensures **clean working conditions** in the OptiCenter during the entire color change process.
- **The operator's health is protected.** His exposure to powder dust is minimized during the entire color change process.

